



DSA2001R0L

Manufacturer Part Number:	DSA2001R0L
Manufacturer/Brand:	Panasonic
Part of Description:	TRANS PNP 50V 0.1A MINI3
RoHS Status:	Lead free / RoHS
Stock Condition:	Compliant New original, 115789 pcs Stock Available.
Ship From:	Hong Kong
Shipment Way:	DHL/Fedex/TNT/UPS/EMS

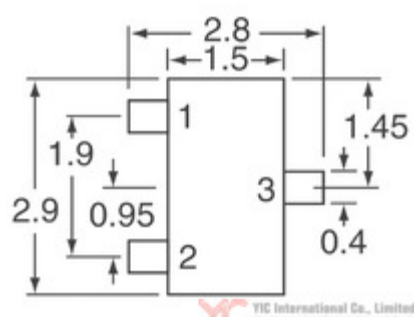


Image may be representation.
See specs for product details.

Specifications

Part Number	DSA2001R0L
Manufacturer	Panasonic
Description	TRANS PNP 50V 0.1A MINI3
Category	Discrete Semiconductor Products > Transistors - Bipolar
Part Status	115789 pcs Stock
Voltage - Collector Emitter Breakdown (Max)	50V
Vce Saturation (Max) @ Ib, Ic	500mV @ 10mA, 100mA
Transistor Type	PNP
Supplier Device Package	Mini3-G3-B
Series	-
Power - Max	200mW
Packaging	Tape & Reel (TR)
Package / Case	TO-236-3, SC-59, SOT-23-3
Operating Temperature	150°C (TJ)
Mounting Type	Surface Mount
Frequency - Transition	150MHz
DC Current Gain (hFE) (Min) @ Ic, Vce	210 @ 2mA, 10V
Current - Collector Cutoff (Max)	100µA
Current - Collector (Ic) (Max)	100mA

DSA2001R0L Electronic Components is 100% New Original from YIC Distributor, Search DSA2001R0L Datasheets, PDF, Inventory at Y-IC.com Online, Order DSA2001R0L Panasonic with Warrantied and Confidence. Ship by DHL/FedEx/TNT/UPS Express. Support Payment with Telegraphic Transfer(T/T) or PayPal.
RFQ DSA2001R0L Email: Info@Y-IC.com

You May Be Also Be interested

In:

 DSA2-18A IXYS DIODE AVALANCHE 1800V 3.6A AXIAL	 DSA2-16A IXYS DIODE AVALANCHE 1600V 3.6A AXIAL	 DSA200100L Panasonic Electronic Components TRANS PNP 50V 0.1A MINI3	 DSA2-18A IXYS DIODE AVALANCHE 1800V 3.6A AXIAL
 DSA200200L Panasonic Electronic Components TRANS PNP 50V 0.5A MINI3	 DSA2002R0L Panasonic Electronic Components TRANS PNP 50V 0.5A MINI3	 DSA2002S0L Panasonic Electronic Components TRANS PNP 50V 0.5A MINI3	 Not Actual Photo YIC International Co., Limited. DSA200AA160 IGBT Module IGBT Modules

DSA2001R0L Related keyword

More

DSA2001R0L Panasonic	DSA2001R0L Data Sheet	DSA2001R0L Datasheets	DSA2001R0L PDF	Panasonic DSA2001R0L
DSA2001R0L Electronic	DSA2001R0L Components	DSA2001R0L Distributor	DSA2001R0L Image	DSA2001R0L Part
DSA2001R0L Price	DSA2001R0L Manufacturer	DSA2001R0L Picture	DSA2001R0L Stock	DSA2001R0L Inventory
DSA2001R0L New	DSA2001R0L Original	DSA2001R0L Warranted	DSA2001R0L RFQ	DSA2001R0L Order Online

Contact us: Info@Y-IC.com

ADD: Unit A5-B5 No.509, 5/F Sing Win Factory Building, 15-17 Shing yip St, Kwun Tong, Kowloon, HongKong.

Copyright © 2020 YIC International Co., Limited