

Panasonic

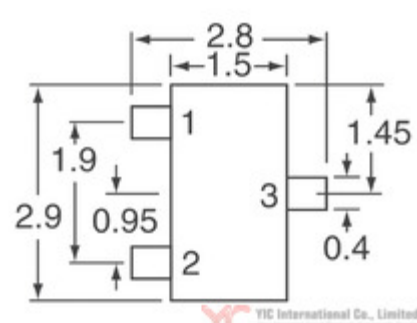


Image may be representation.
See specs for product details.

DSA2002R0L

Manufacturer Part Number:	DSA2002R0L
Manufacturer/Brand:	Panasonic
Part of Description:	TRANS PNP 50V 0.5A MINI3
RoHs Status:	Lead free / RoHS
Stock Condition:	Compliant New original, 110320 pcs Stock Available.
Ship From:	Hong Kong
Shipment Way:	DHL/Fedex/TNT/UPS/EMS

Specifications

Part Number	DSA2002R0L
Manufacturer	Panasonic
Description	TRANS PNP 50V 0.5A MINI3
Category	Discrete Semiconductor Products > Transistors - Bipolar
Part Status	110320 pcs Stock
Voltage - Collector Emitter Breakdown (Max)	50V
Vce Saturation (Max) @ Ib, Ic	600mV @ 30mA, 300mA
Transistor Type	PNP
Supplier Device Package	Mini3-G3-B-B
Series	-
Power - Max	200mW
Packaging	Tape & Reel (TR)
Package / Case	TO-236-3, SC-59, SOT-23-3
Operating Temperature	150°C (TJ)
Mounting Type	Surface Mount
Frequency - Transition	130MHz
DC Current Gain (hFE) (Min) @ Ic, Vce	120 @ 150mA, 10V
Current - Collector Cutoff (Max)	100nA (ICBO)
Current - Collector (Ic) (Max)	500mA

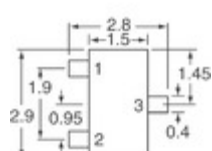
DSA2002R0L Electronic Components is 100% New Original from YIC Distributor, Search DSA2002R0L Datasheets, PDF, Inventory at Y-IC.com Online, Order DSA2002R0L Panasonic with Warrantied and Confidence. Ship by DHL/FedEx/TNT/UPS Express. Support Payment with Telegraphic Transfer(T/T) or PayPal.
RFQ DSA2002R0L Email: Info@Y-IC.com

You May Be Also Be interested

In:



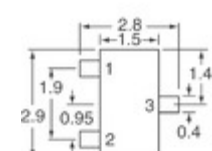
DSA20C100PN
IXYS
DIODE ARRAY SCHOTTKY 100V
TO220F



DSA2001R0L
Panasonic Electronic Components
TRANS PNP 50V 0.1A MINI3

Panasonic

DSA2002S0L
Panasonic Electronic Components
TRANS PNP 50V 0.5A MINI3



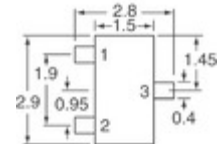
DSA200200L
Panasonic Electronic Components
TRANS PNP 50V 0.5A MINI3



DSA20C100PB
IXYS
DIODE ARRAY SCHOTTKY 100V
TO220

Panasonic

DSA2001S0L
Panasonic Electronic Components
TRANS PNP 50V 0.1A MINI3



DSA200100L
Panasonic Electronic Components
TRANS PNP 50V 0.1A MINI3



DSA20C150PB
IXYS
DIODE ARRAY SCHOTTKY 150V
TO220

DSA2002R0L Related keyword

More

DSA2002R0L Panasonic	DSA2002R0L Data Sheet	DSA2002R0L Datasheets	DSA2002R0L PDF	Panasonic DSA2002R0L
DSA2002R0L Electronic	DSA2002R0L Components	DSA2002R0L Distributor	DSA2002R0L Image	DSA2002R0L Part
DSA2002R0L Price	DSA2002R0L Manufacturer	DSA2002R0L Picture	DSA2002R0L Stock	DSA2002R0L Inventory
DSA2002R0L New	DSA2002R0L Original	DSA2002R0L Warranted	DSA2002R0L RFQ	DSA2002R0L Order Online

Contact us: Info@Y-IC.com

ADD: Unit A5-B5 No.509, 5/F Sing Win Factory Building, 15-17 Shing yip St, Kwun Tong, Kowloon, HongKong.

Copyright © 2020 YIC International Co., Limited