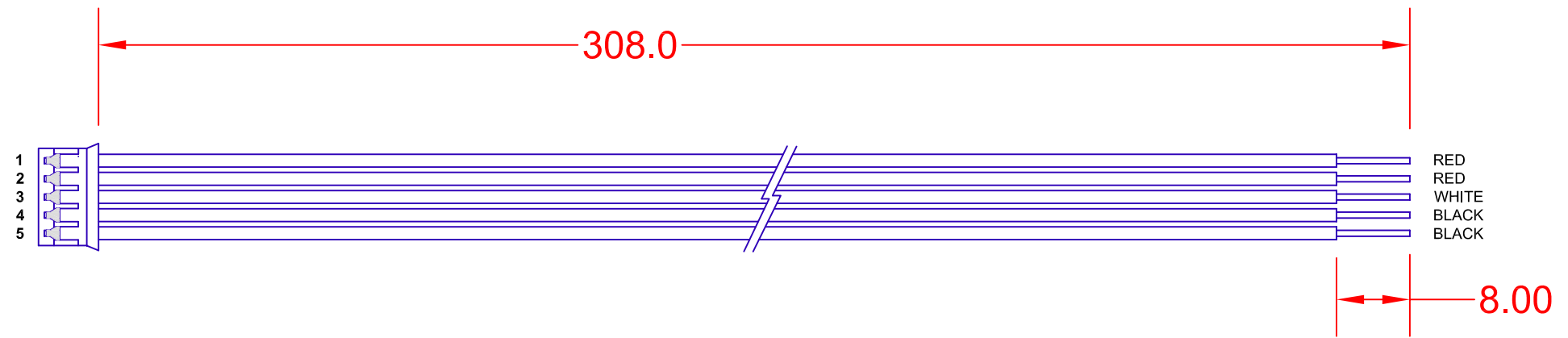


REV.	DESCRIPTION/ECO NO.	DATE
	RELEASED & CANCEL BXA-12580/CONN	1/11/02
A	DRAWING IN CAD	7/16/02
B	LENGTH 300.0 TO 308.0	1/4/07
C	ADD RoHS NOTE	2/13/07



PIN	WIRE TYPE	AWG	COLOR
1	UL 1007LF	24	RED
2	UL 1007LF	24	RED
3	UL 1007LF	24	WHT
4	UL 1007LF	24	BLK
5	UL 1007LF	24	BLK

JKL PART NO.: BXC-10605

- NOTES:
- HOUSING PHR-5 (JST)
 - CONTACT SPH-002T-P0.5 (JST)
 - RoHS COMPLIANCE
(CONTACT JKL FOR RoHS LOT IDENTIFICATION)

<p>METRIC THIRD ANGLE PROJECTION</p>	<p>DIMENSIONS ARE IN MILLIMETERS</p> <p>TOLERANCE UNLESS OTHERWISE SPECIFIED</p> <p>1 PL +/- 4.0</p> <p>2 PL +/- 0.50</p> <p>ANGLE +/- 0</p>	<p>JKL COMPONENTS CORPORATION</p>			
	<p>TITLE INPUT CONNECTOR HARNESS</p>				
<p>DRAWN BY L. WENGSTROM</p>	<p>APPV'D BY L.R.</p>	<p>DATE 2/13/07</p>	<p>SIZE A</p>	<p>FSCM NO. 55335</p>	<p>DRAWING NO. BXC-10605</p>
<p>- CAD DRAWING - MANUAL REVISIONS NOT PERMITTED</p>			<p>SCALE NONE</p>	<p>RELEASED DATE 1/11/02</p>	<p>REVISION DATE 2/13/07</p>
				<p>REV. NO. C</p>	<p>SHEET 1 OF 1</p>