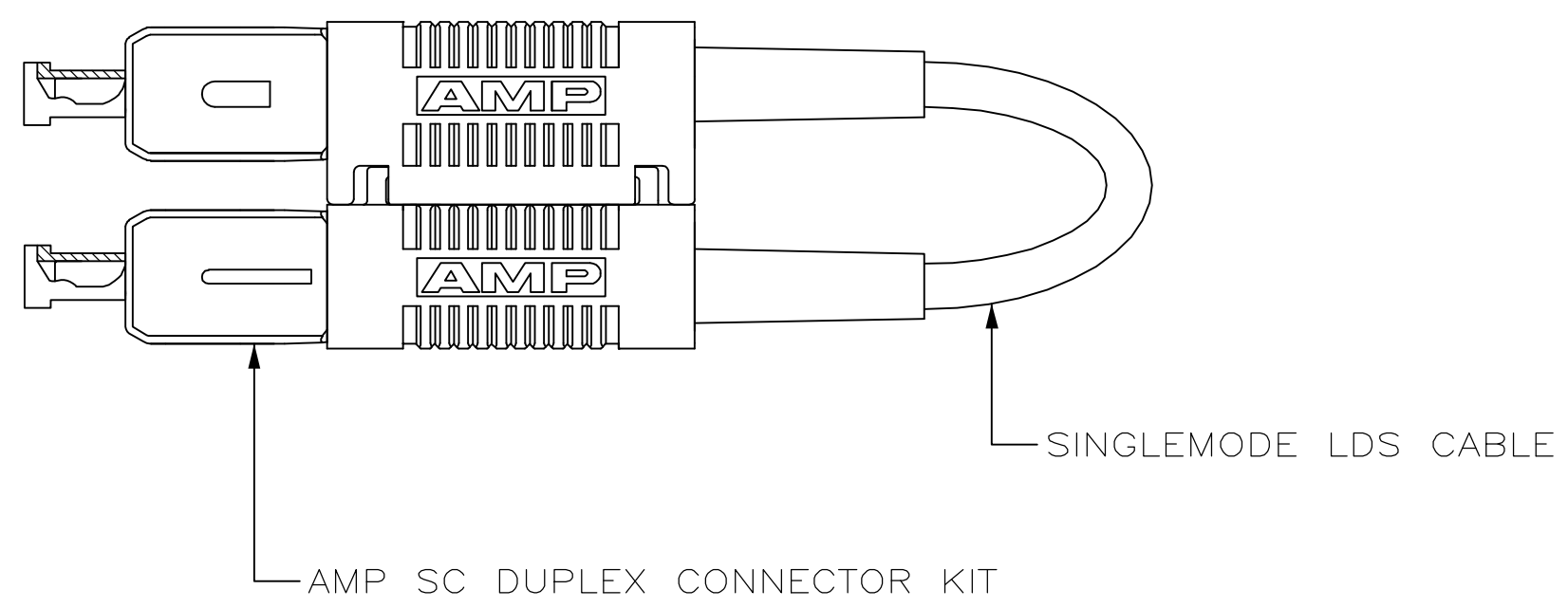


THIS DRAWING IS UNPUBLISHED. RELEASED FOR PUBLICATION
 © COPYRIGHT - BY TYCO ELECTRONICS CORPORATION. ALL RIGHTS RESERVED.

LOC	DIST	REVISIONS					
CE	16	P	LTR	DESCRIPTION	DATE	DWN	APVD
			A	RELEASED PER NPR	02 FEB 06	CSV	JD

1. 1.5 dB MAX INSERTION LOSS.
2. PRODUCT AND PROCESSING MUST MEET REQUIREMENTS OF THE TYCO ELECTRONICS STANDARD 230-702



5504883-1
 PART NUMBER

THIS DRAWING IS A CONTROLLED DOCUMENT.		DWN C.S.VASU	02 FEB 06	Tyco Electronics Corporation Harrisburg, Pa 17105-3608			
DIMENSIONS: mm		CHK J.DUNCAN	02 FEB 06				
TOLERANCES UNLESS OTHERWISE SPECIFIED:		APVD J.DUNCAN	02 FEB 06	NAME LOOPBACK ASSEMBLY, FIBER OPTIC, SINGLEMODE, SC DUPLEX, OPTIMATE			
0 PLC ± - 1 PLC ± - 2 PLC ± - 3 PLC ± - 4 PLC ± - ANGLES ± -		PRODUCT SPEC -		APPLICATION SPEC -			
MATERIAL -	FINISH -	WEIGHT -		SIZE A3	CAGE CODE 00779	DRAWING NO C-5504883	RESTRICTED TO -
CUSTOMER DRAWING				SCALE 1:1	SHEET 1 OF 1	REV A	