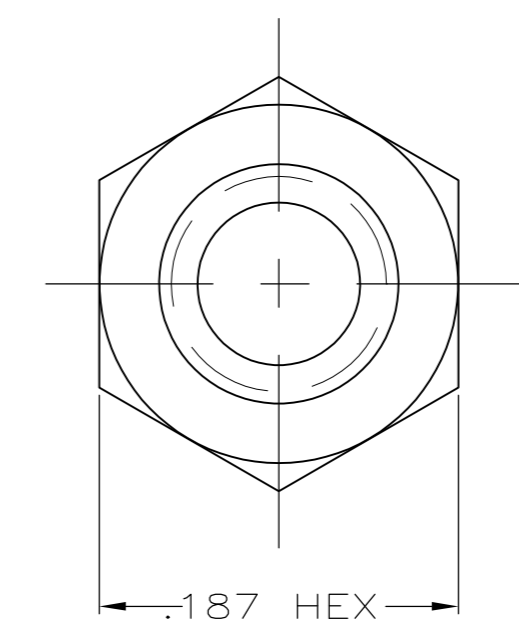
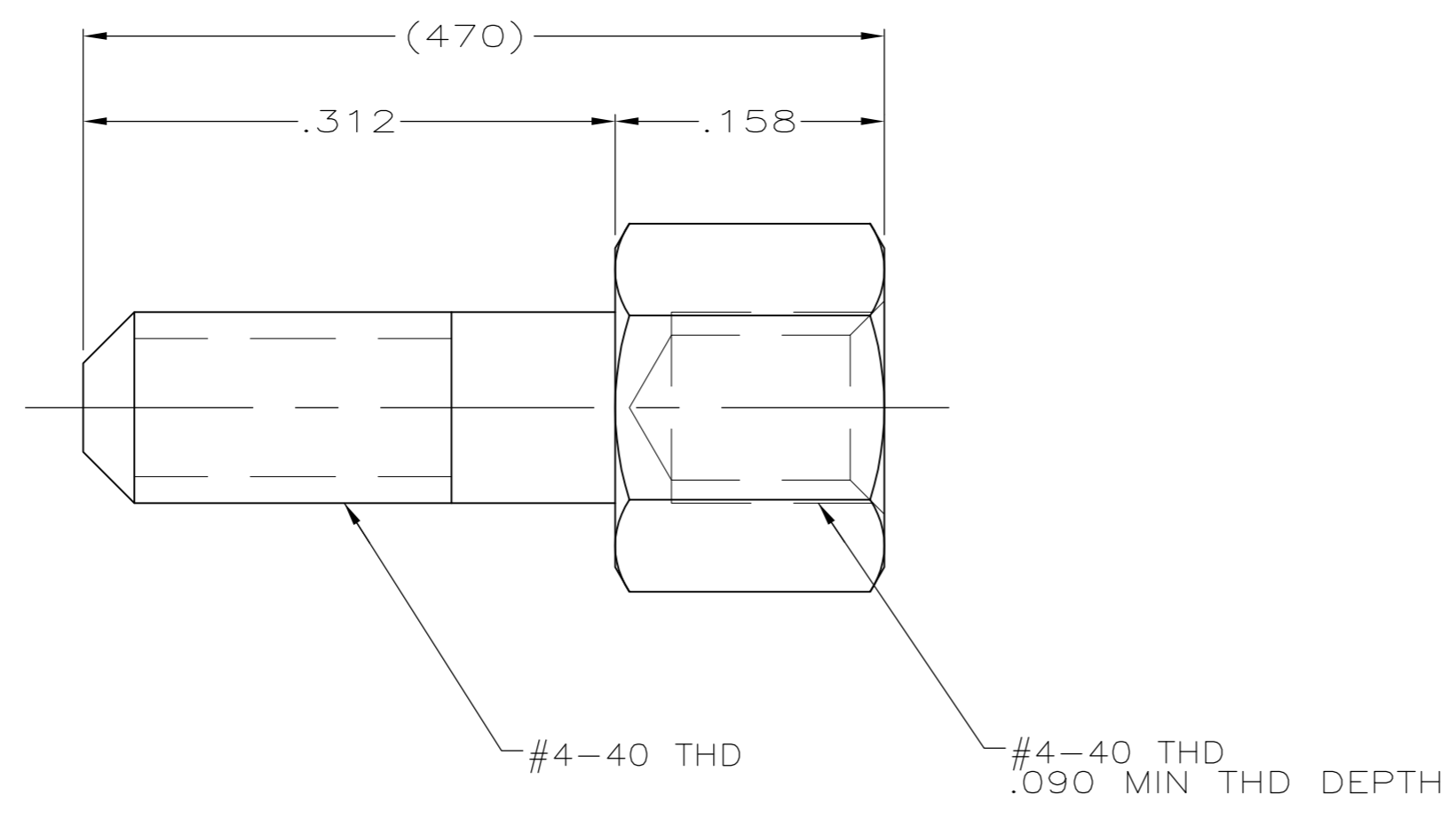


THIS DRAWING IS UNPUBLISHED. RELEASED FOR PUBLICATION
 © COPYRIGHT - By - ALL RIGHTS RESERVED.

LOC	DIST	REVISIONS			
P	LTR	DESCRIPTION	DATE	DWN	APVD
GP	00				
P		REVISED PER ECO-11-004835	11MAR11	RK	HMR

- △1 COLD ROLLED STEEL PER ASTM A108.
- △2 ZINC PLATED .000200-.000400 THICK, YELLOW CHROMATE COATING.



5748270-2
 PART NUMBER

THIS DRAWING IS A CONTROLLED DOCUMENT.		DWN R.RICHARDSON 17JUN05	TE Connectivity SCREWLOCK, FEMALE, SHORT HEAD, .090 PANEL, AMPLIMITE			
DIMENSIONS: INCHES		CHK C.ROHDE 17JUN05			NAME	
TOLERANCES UNLESS OTHERWISE SPECIFIED:		APVD M. WALMSLEY 17JUN05			PRODUCT SPEC	
0 PLC ± - 1 PLC ± - 2 PLC ± - 3 PLC ± .005 4 PLC ± - ANGLES ± -		APPLICATION SPEC			RESTRICTED TO	
MATERIAL	FINISH	WEIGHT	SIZE	CAGE CODE	DRAWING NO	RESTRICTED TO
△1	△2	-	A2	00779	C-5748270	-
CUSTOMER DRAWING			SCALE	SHEET	REV	
			10:1	1 of 1	P	