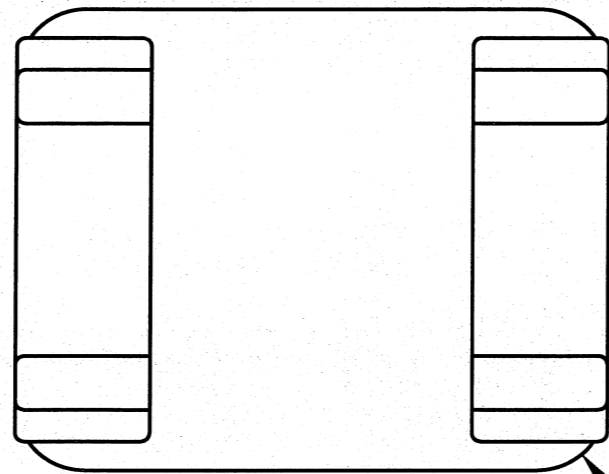
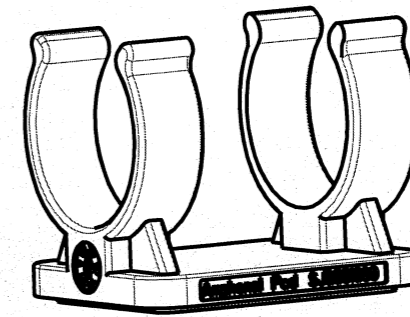


SJS991000

REV	ECN	APP'D
A	6428	JT 10/28/09
B	6441	<i>[Signature]</i> 11/3/09

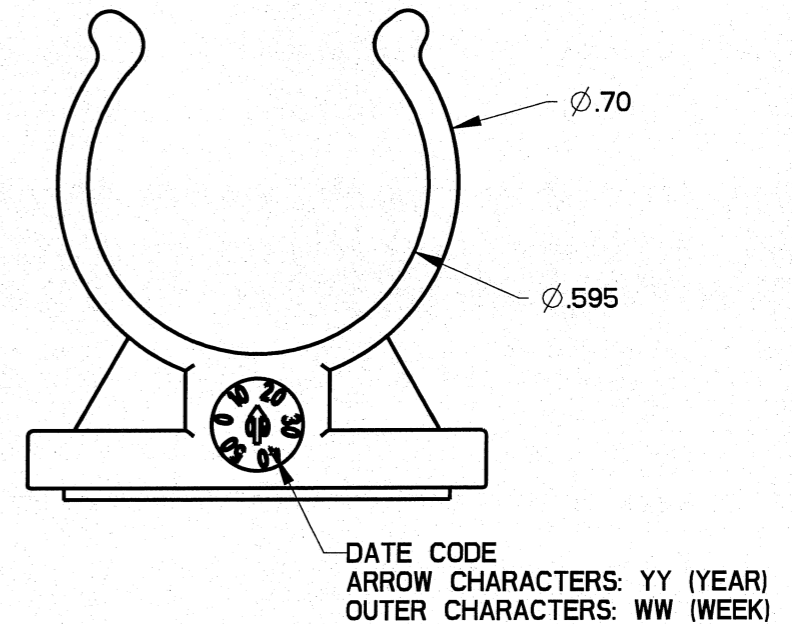
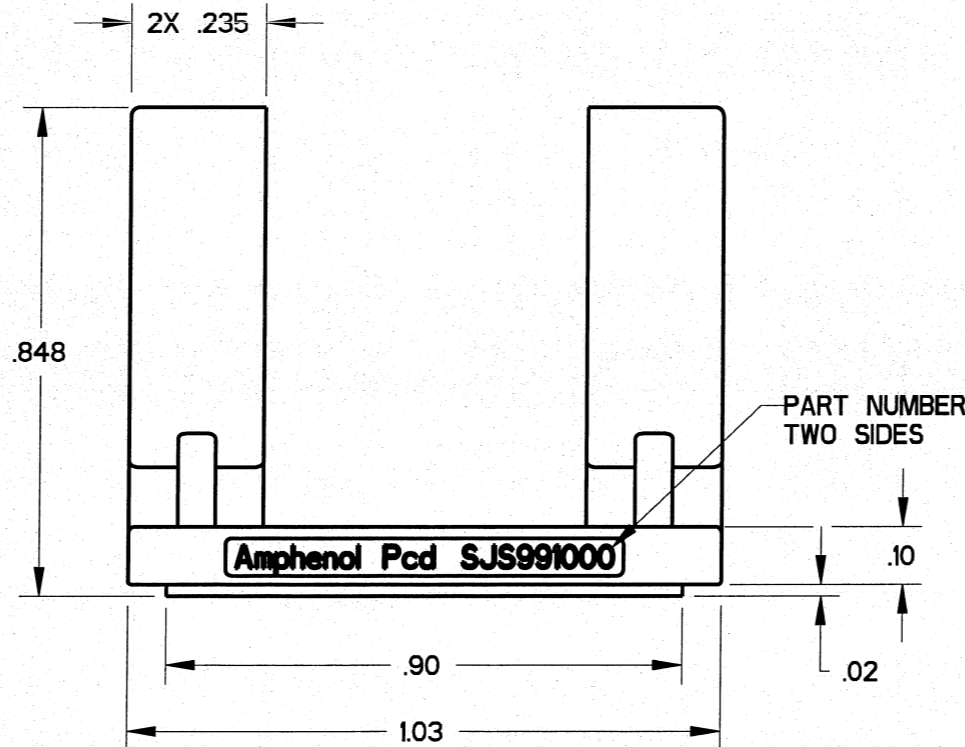
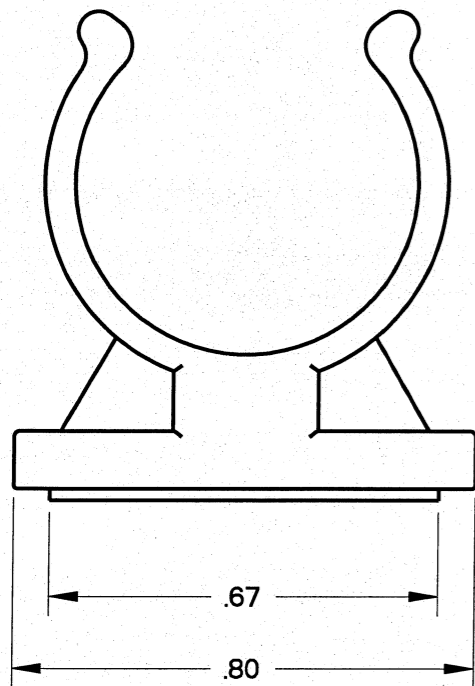


4X R.120



SCALE 5:3

SJS991000



SJS991000

- NOTES:
 1. MATERIALS:
 MOUNTING LARGE CRADLE : PA6/6
 ADHESIVE TAPE: 3M 5958FR VHB
 2. WEIGHT: 2.8 GRAMS

DIMENSIONS ANSI Y14.5M UNITS: INCHES Pro/E FILE	TOLERANCES .XX ±0.01 .XXX ±0.005 ANGLES ±1.0°	PROJECTION 	Amphenol Pcd SPECIFICATION DRAWING		TITLE MOUNTING CRADLE, SHELL SIZE B WITH ADHESIVE		
			ENGR Frank.Li 26-Oct-09	SIZE B	DWG NO. SJS991000_CE	REV B	
ORIGINAL 	THIS DOCUMENT CONTAINS PROPRIETARY INFORMATION WHICH IS THE CONFIDENTIAL PROPERTY OF AMPHENOL PCD INC., BEVERLY, MA		CHKD 11/3/09	APPD 11/3/09	CODE: 58982	SCALE: 3:1	SHEET 1 OF 1