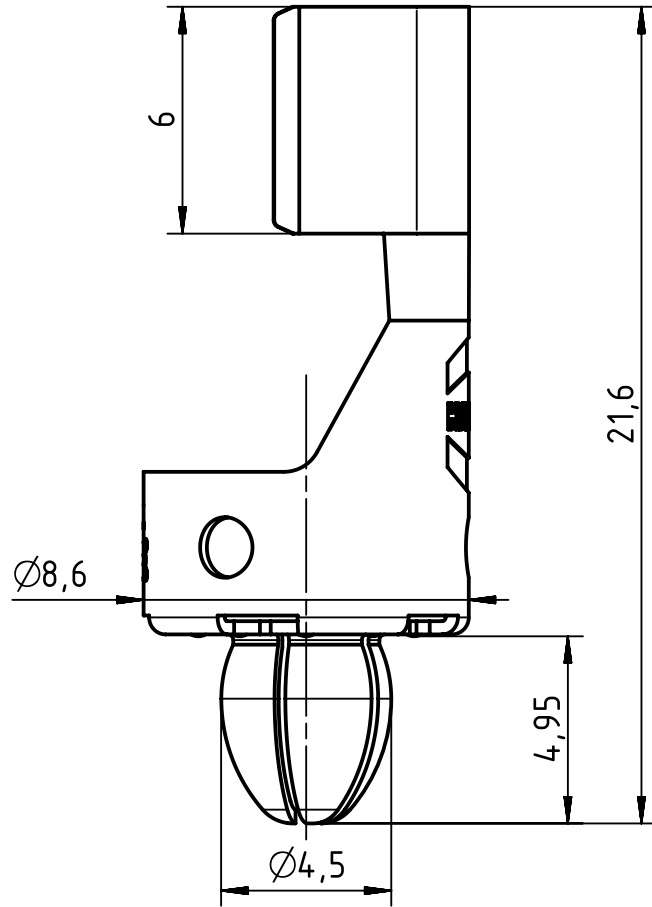
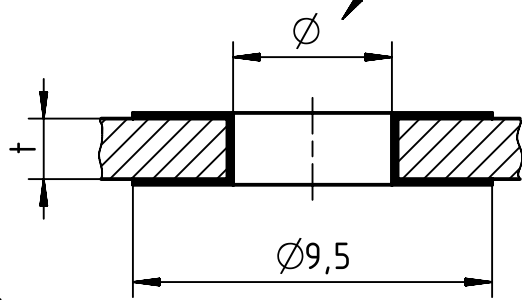


t	∅
1,6	4,4 $+0,05$ $-0,04$
2	4,4 $+0,05$ $-0,04$

PCB lay-out

finished hole



Coating	A=	mm <sup>2</sup>	V=	mm <sup>3</sup>	m=	g	Mat.
	All Dimensions in mm Original Size DIN A4		Scale 5:1	Free size tol.			Ref.
	All rights reserved	Created by RULLKOETTER	Inspected by SCHNIEDER	Standardisation TIEMANNA	Date 2014-01-27	State Final Release	
Department EL PD - DE		Title Han-Fast Lock 4-6mm <sup>2</sup> , Ag				Doc-Key / ECM-Nr. 100219174/UGD/004/C 500000070361	
HARTING Electric GmbH & Co. KG D-32339 Espelkamp		Type TB	Number 09 08 000 7923			Rev. C	Page 1/1