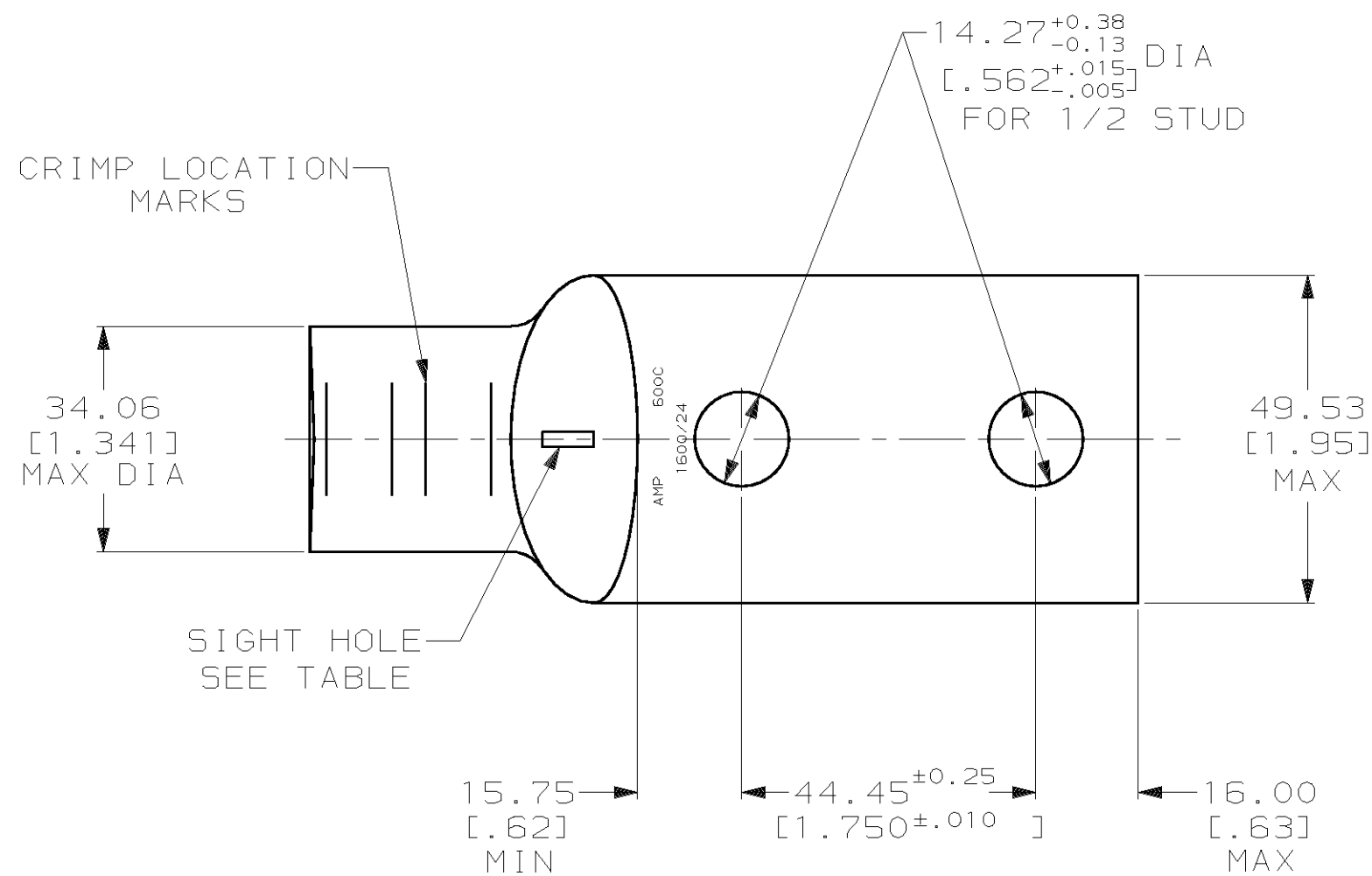
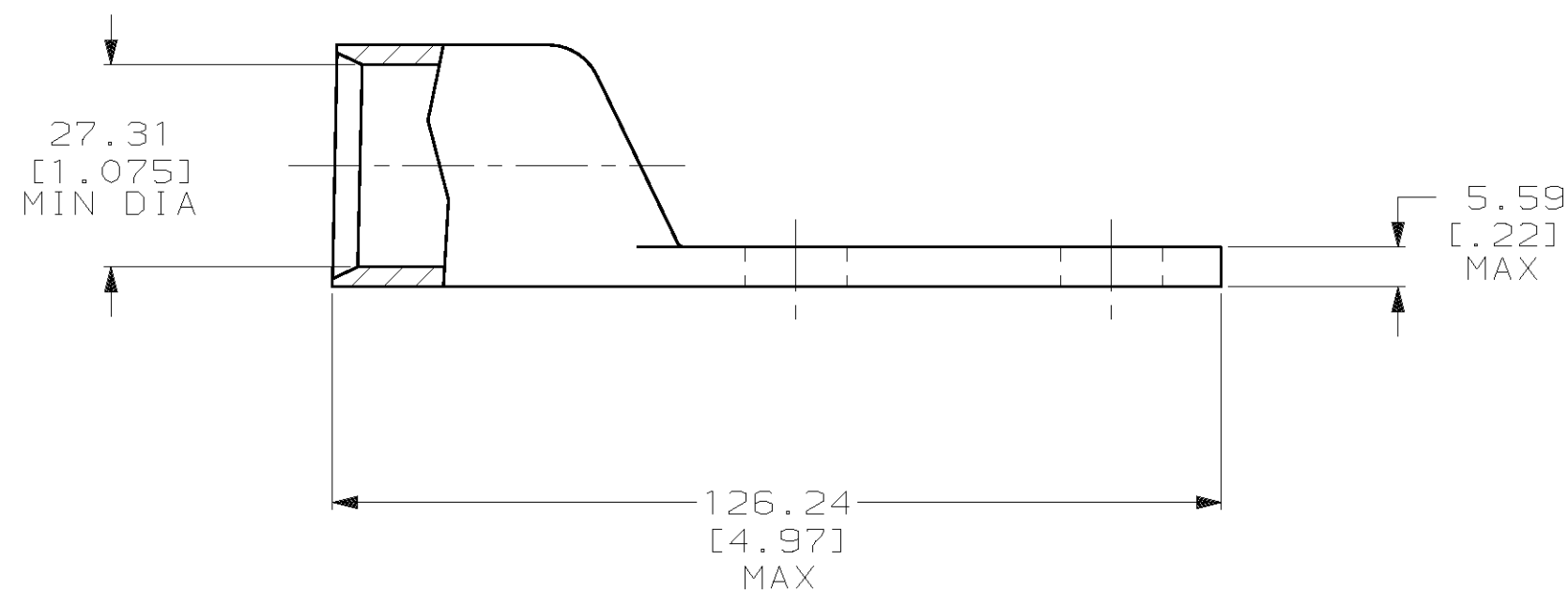


THIS DRAWING IS UNPUBLISHED. RELEASED FOR PUBLICATION, 19 .
 © COPYRIGHT 19 BY AMP INCORPORATED. ALL INTERNATIONAL RIGHTS RESERVED.

LOC		DIST		P		F		ZONE		LTR		REVISIONS		DATE	APPD
G		86								P		REV PER 0G3A-0561-01		09OCT02	JR/MS



- 1 CIRCULAR MIL RANGE: 550-650 MCM
- 2 TIN PL 0.00381 [.000150] MIN THK PER ASTM B-545
- 3 CLEANED, UNPLATED



3	REQ'D	327290-2
2	NONE	327290-1
2	REQ'D	327290
FINISH	SIGHT HOLE	PART NO

DO NOT SCALE PRINT. UNLESS SPECIFIED DIMENSIONS IN mm [INCHES] TOLERANCES ON : 2 PLC DEC ± 0.51 [.020] 3 PLC DEC ± - ANGLES ± -	DR 02/28/90 DK SCHRUM	AMP INCORPORATED Harrisburg, Pa. 17105	
	CHK 25JAN95 MS FEHER		
MATERIAL ANNEALED COPPER ASTM B-75	APPD 25JAN95 WJ VOCKROTH	TERMINAL, AMPOWER, WIRE SIZE: 600 MCM	
FINISH SEE TABLE	APPD 25JAN95 TL SHUTTER	PRODUCT SPEC 108-30200	DRAWING NO 327290
	APPLICATION SPEC -	SIZE C	CAGE CODE 00779
	WEIGHT .574 LB	SCALE 1:1	SHEET 1 OF 1

METRIC