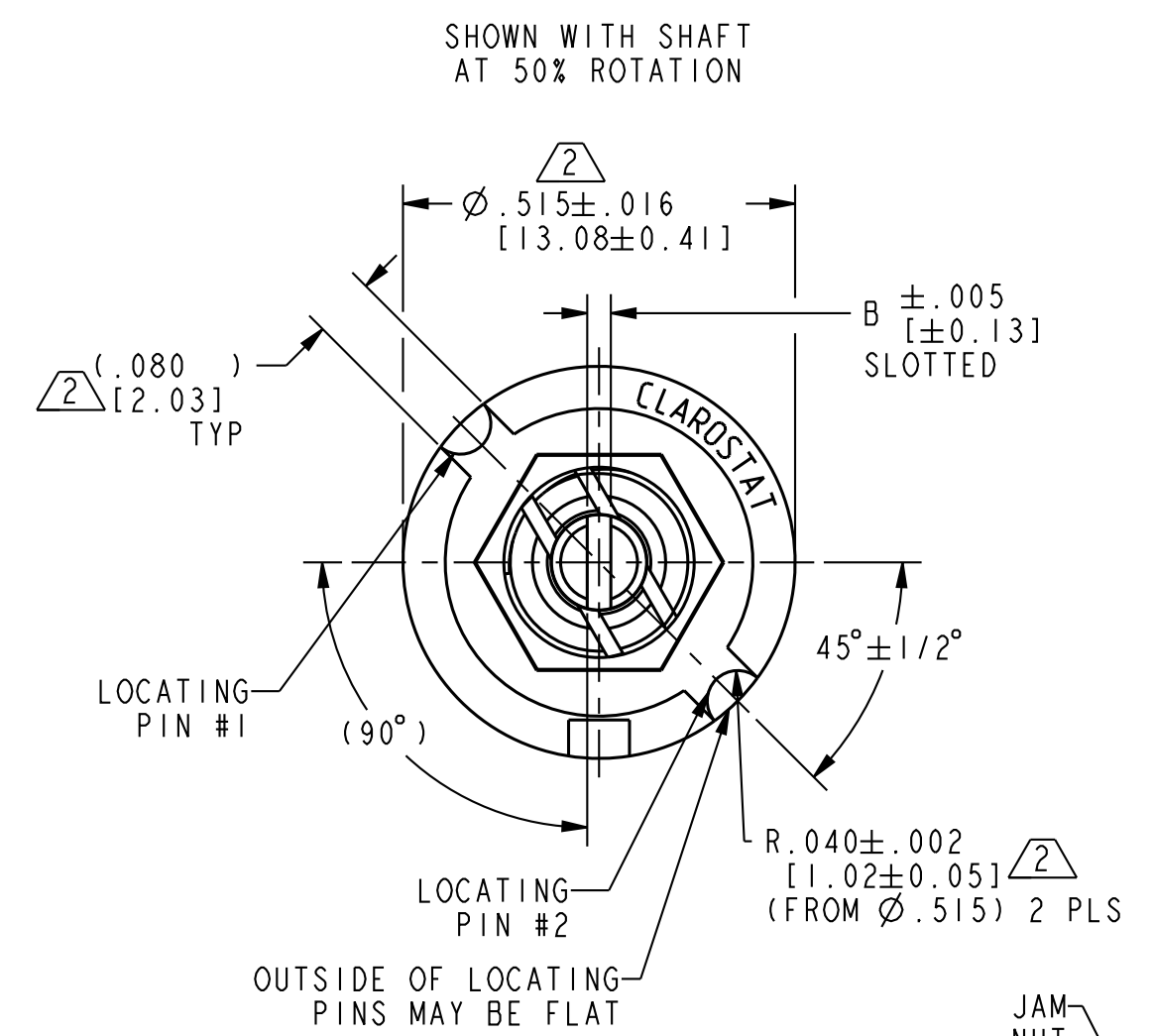
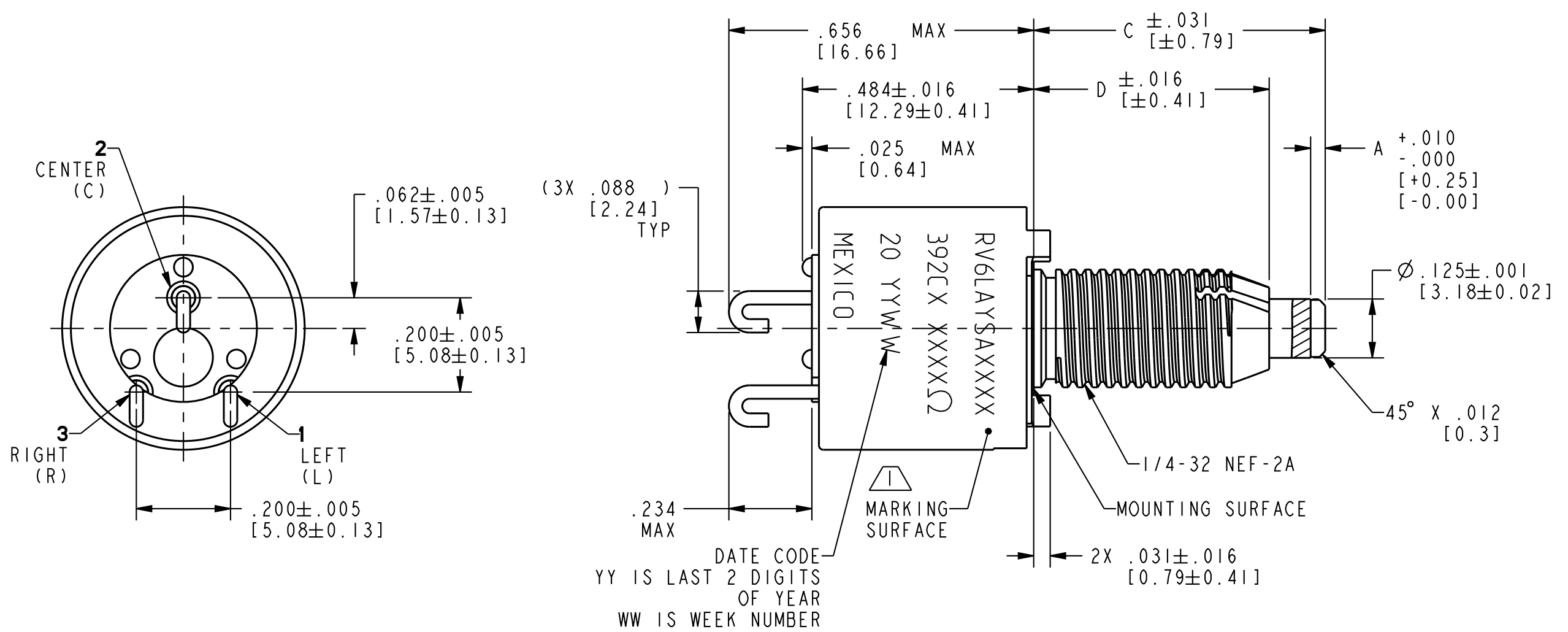


PART NUMBER
SEE SHEET-2 TABLE

REVISION HISTORY					
REV	DOCUMENT	DESCRIPTION	CHGD BY	DATE	APPROVED
A	0112190	RELEASED	B.M.	2014-08-05	M. MIKE



GENERAL SPECIFICATIONS AND NOTES:

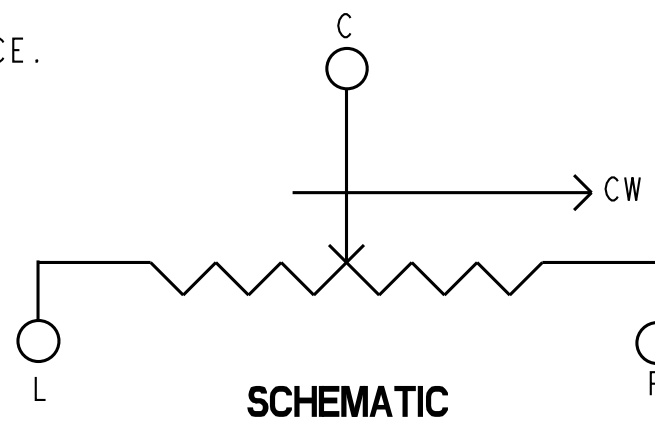
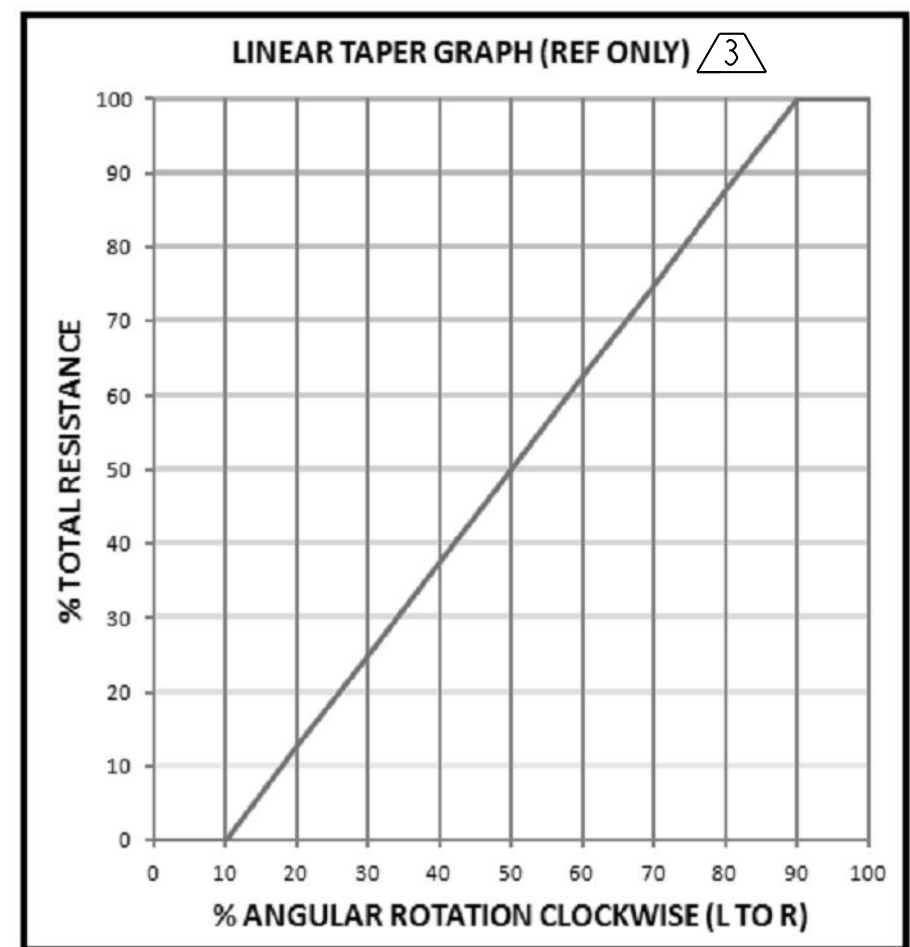
SERIES: 392
CONDUCTIVE PLASTIC ELEMENT
SUPPLIED WITH MOUNTING NUT, LOCKING WASHER AND JAM NUT.
NUTS AND WASHER PACKAGED ASSEMBLED OR UNASSEMBLED BASED ON LISTING (REFER TO TABLE ON SHEET2).
MARKING INFORMATION SHOWN ON SIDE OF HOUSING. REFER TO TABLE FOR SPECIFIC LISTING MARKING INFORMATION.
WEIGHT OF SINGLE CONTROL: .25 OUNCE [6.8 GRAMS] APPROX. VALUES ARE SHOWN IN STANDARD AND METRIC UNITS. METRIC UNITS ARE IN []. IF CONVERSION DIFFERENCE EXISTS, THE STANDARD UNIT PREVAILS.
CONTROLS HAVE AN INTERNAL O-RING SHAFT SEAL.
UNITS ARE SEALED FOR WAVE SOLDER AND WASH PROCESSING.
BUILT IN ACCORDANCE WITH MIL-R-94.
DIMENSIONS FOR BODY DIAMETER AND LOCATING PINS DEVIATE FROM MIL-R-94 SPECIFICATIONS.

ELECTRICAL SPECIFICATIONS:

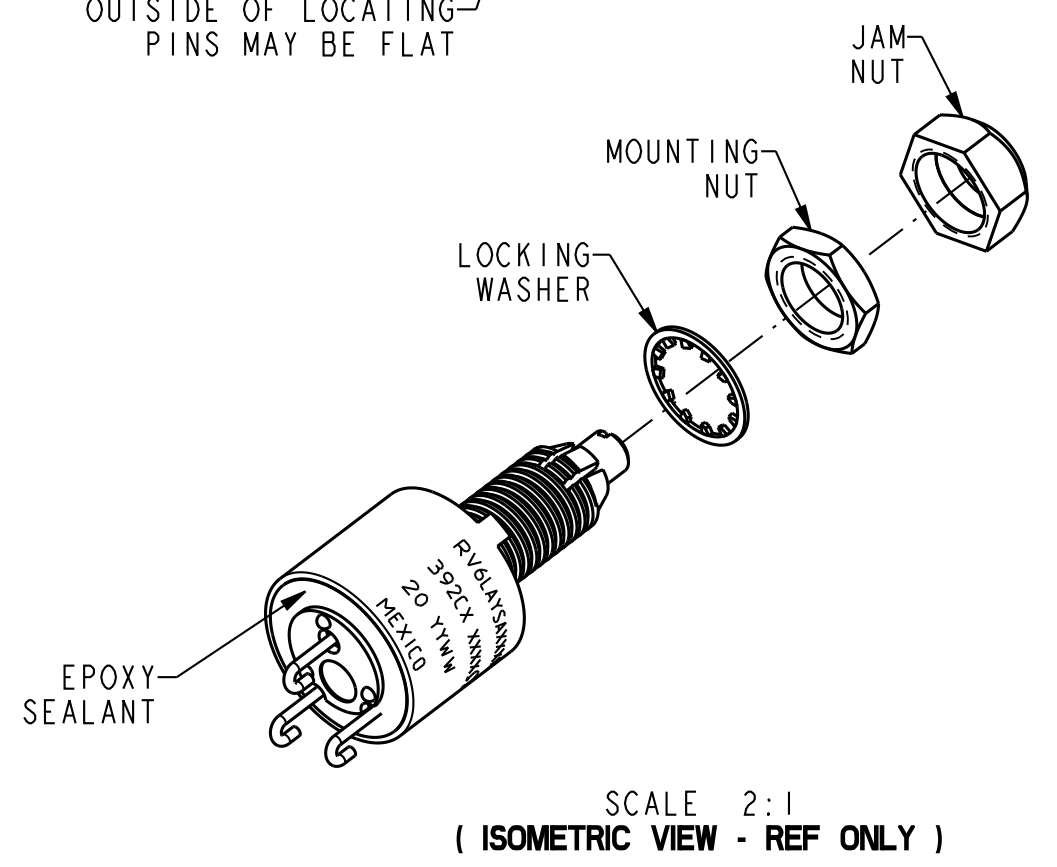
TAPER: LINEAR
TAPER TOLERANCE ±20% OF NOMINAL RESISTANCE AT 50%±3% MECHANICAL ROTATION.
LINEARITY (INDEPENDENT): ±5%
MAX WORKING VOLTAGE: 350 VDC APPLIED ACROSS L & R TERMINALS. POWER NOT TO EXCEED RATING.
DIELECTRIC STRENGTH: 750 VAC FOR 60s @ ATM [1 MPa]
350 VAC FOR 60s @ 3.4 IN Hg [1.5 KPa]
POWER RATING: 0.5W @ 158°F [70°C], DE-RATED LINEARLY TO 0 @ 264°F [129°C]
CRV FOR RESISTANCE GREATER THAN 500Ω AND LESS THAN 50KΩ IS 1.5% OF TOTAL RESISTANCE. CRV FOR ALL OTHER RESISTANCE VALUES IS 3.1% OF TOTAL RESISTANCE.
END RESISTANCE: 4Ω MAX AT EACH END OF ROTATION
RESISTANCE AND TOLERANCE: (REFER TO TABLE)
ELECTRICAL ROTATION: 295°±5°
EFFECTIVE ELECTRICAL ROTATION: 265° TYPICAL

OPERATIONAL SPECIFICATIONS:

ROTATIONAL LIFE: 50,000 CYCLES
STORAGE TEMPERATURE: -67°F [-55°C] TO 248°F [120°C]
OPERATING TEMPERATURE: -40°F [-40°C] TO 248°F [120°C]
ROTATIONAL TORQUE: 0.5 TO 2.0 OZ-IN [3.5 TO 14 mN·m]
WITH JAM NUT TIGHTENED TO 8 LB-IN [0.9 Nm] SHAFT WILL NOT ROTATE UNTIL 20 LB-IN [2.3 Nm] IS APPLIED.
STOP TORQUE: 3 LB-IN [0.34 N·m]
MECHANICAL ROTATION: 295°±5°




MULTI-SHEET DRAWING



MATERIALS	
SHAFT	NICKEL PLATED BRASS
BUSHING	NICKEL PLATED BRASS
HOUSING	THERMOPLASTIC
BASE	THERMOSET
TERMINALS	BRASS, SOLDER (TIN-LEAD) DIP FINISH
SEALANT	EPOXY
LOCK WASHER	NICKEL PLATED PHOS BRONZE
MOUNTING NUT	NICKEL PLATED BRASS
JAM NUT	NICKEL PLATED BRASS

UNLESS OTHERWISE SPECIFIED DIMENSIONS ARE IN INCHES DECIMAL TOL: NO PLACE --- ±.400 [10.16] 1 PLACE --- ±.030 [0.76] 2 PLACE --- ±.010 [0.25] 3 PLACE --- ±.005 [0.13] ANGULAR TOL --- ±2° CHAMFER --- ±5°		THIRD ANGLE PROJECTION	Honeywell				
MATERIAL SEE TABLE			TITLE S-TAPER, SLOTTED SHAFT, LCKG BUSHING, SOLDER HOOK TERMS				
FINISH			SIZE C	CAGE CODE -	DWG NO 392-MATRIX-IDWG-13	TYPE I	REV A
APPLICABLE DOCUMENTS: ASME Y14.100-2004 ASME Y14.5-2009			SCALE 4:1	REF WT: SEE NOTE	SHEET 1 of 2	HONEYWELL CONFIDENTIAL THIS DOCUMENT CONTAINS PROPRIETARY INFORMATION AND SUCH INFORMATION MAY NOT BE DISCLOSED TO OTHERS FOR ANY PURPOSE, NOR USED FOR MANUFACTURING PURPOSES WITHOUT WRITTEN PERMISSION FROM HONEYWELL	
COMPUTER GENERATED DRAWING: PRO/ENGINEER			RELEASE DATE 2014-08-05	DRW: B. MOHAPATRA 2014-05-28	RDE: M. MIKE 2014-05-28	QA: -	CHK: S. RAGHU 2014-08-05

PART NUMBER
SEE SHEET-2 TABLE

LISTING	CHARACTERISTICS							MARKING 			
	ELECTRICAL		MECHANICAL					LINE-1	LINE-2	LINE-3	LINE-4
	RES (Ω)	RES TOL	A SLOT DEPTH IN [mm]	B SLOT WIDTH IN [mm]	C SHAFT LENGTH IN [mm]	D BUSHNG LENGTH IN [mm]	MTG HARDWARE				
392C2100	100Ω	±10%	.031 [0.79]	.031 [0.79]	.625 [15.88]	.500 [12.70]	ASSEMBLED	RV6LAYS A101A	392C2 100Ω	20 YYWW	MEXICO
392C21K	1KΩ	±10%	.031 [0.79]	.031 [0.79]	.625 [15.88]	.500 [12.70]	ASSEMBLED	RV6LAYS A102A	392C2 1KΩ	20 YYWW	MEXICO
392550M6875	10KΩ	±10%	.031 [0.79]	.031 [0.79]	.625 [15.88]	.500 [12.70]	ASSEMBLED	RV6LAYS A103A	10KΩ	20 YYWW	MEXICO
392C210K	10KΩ	±10%	.031 [0.79]	.031 [0.79]	.625 [15.88]	.500 [12.70]	ASSEMBLED	RV6LAYS A103A	392C2 10KΩ	20 YYWW	MEXICO
392C2100K	100KΩ	±10%	.031 [0.79]	.031 [0.79]	.625 [15.88]	.500 [12.70]	ASSEMBLED	RV6LAYS A104A	392CS 100KΩ	20 YYWW	MEXICO
392C21MEG	1MEGΩ	±10%	.031 [0.79]	.031 [0.79]	.625 [15.88]	.500 [12.70]	ASSEMBLED	RV6LAYS A105A	392C2 1MEGΩ	20 YYWW	MEXICO
392C2250	250Ω	±10%	.031 [0.79]	.031 [0.79]	.625 [15.88]	.500 [12.70]	ASSEMBLED	RV6LAYS A251A	392C2 250Ω	20 YYWW	MEXICO
392C22500	2.5KΩ	±10%	.031 [0.79]	.031 [0.79]	.625 [15.88]	.500 [12.70]	ASSEMBLED	RV6LAYS A252A	392C2 2.5KΩ	20 YYWW	MEXICO
392C225K	25KΩ	±10%	.031 [0.79]	.031 [0.79]	.625 [15.88]	.500 [12.70]	ASSEMBLED	RV6LAYS A253A	392CS 25KΩ	20 YYWW	MEXICO
392C2500	500Ω	±10%	.031 [0.79]	.031 [0.79]	.625 [15.88]	.500 [12.70]	ASSEMBLED	RV6LAYS A501A	392CS 500Ω	20 YYWW	MEXICO
392C25K	5KΩ	±10%	.031 [0.79]	.031 [0.79]	.625 [15.88]	.500 [12.70]	ASSEMBLED	RV6LAYS A502A	392C2 5KΩ	20 YYWW	MEXICO
392C250K	50KΩ	±10%	.031 [0.79]	.031 [0.79]	.625 [15.88]	.500 [12.70]	ASSEMBLED	RV6LAYS A503A	392C2 50KΩ	20 YYWW	MEXICO
392C2500K	500KΩ	±10%	.031 [0.79]	.031 [0.79]	.625 [15.88]	.500 [12.70]	ASSEMBLED	RV6LAYS A504A	392CS 500KΩ	20 YYWW	MEXICO
392550M9297	5MEGΩ	±20%	.031 [0.79]	.031 [0.79]	.625 [15.88]	.500 [12.70]	UNASSEMBLED	RV6LAYS A505B	392C2 5MEGΩ	20 YYWW	MEXICO

Honeywell

TITLE					S-TAPER, SLOTTED SHAFT, LCKG BUSHING, SOLDER HOOK TERMS				
SIZE	CAGE CODE	DWG NO	TYPE	REV					
C	-	392-MATRIX-IDWG-13	I	A					
SCALE	NONE	REF WT: SEE NOTE	SHEET	2 of 2					