

STANDARD PRODUCT SPECIFICATION

CABLE TIE

Material : PA 66

Cable range : 1.5 to 34

Min loop tensile strength @
2.5% moisture
225 newtons

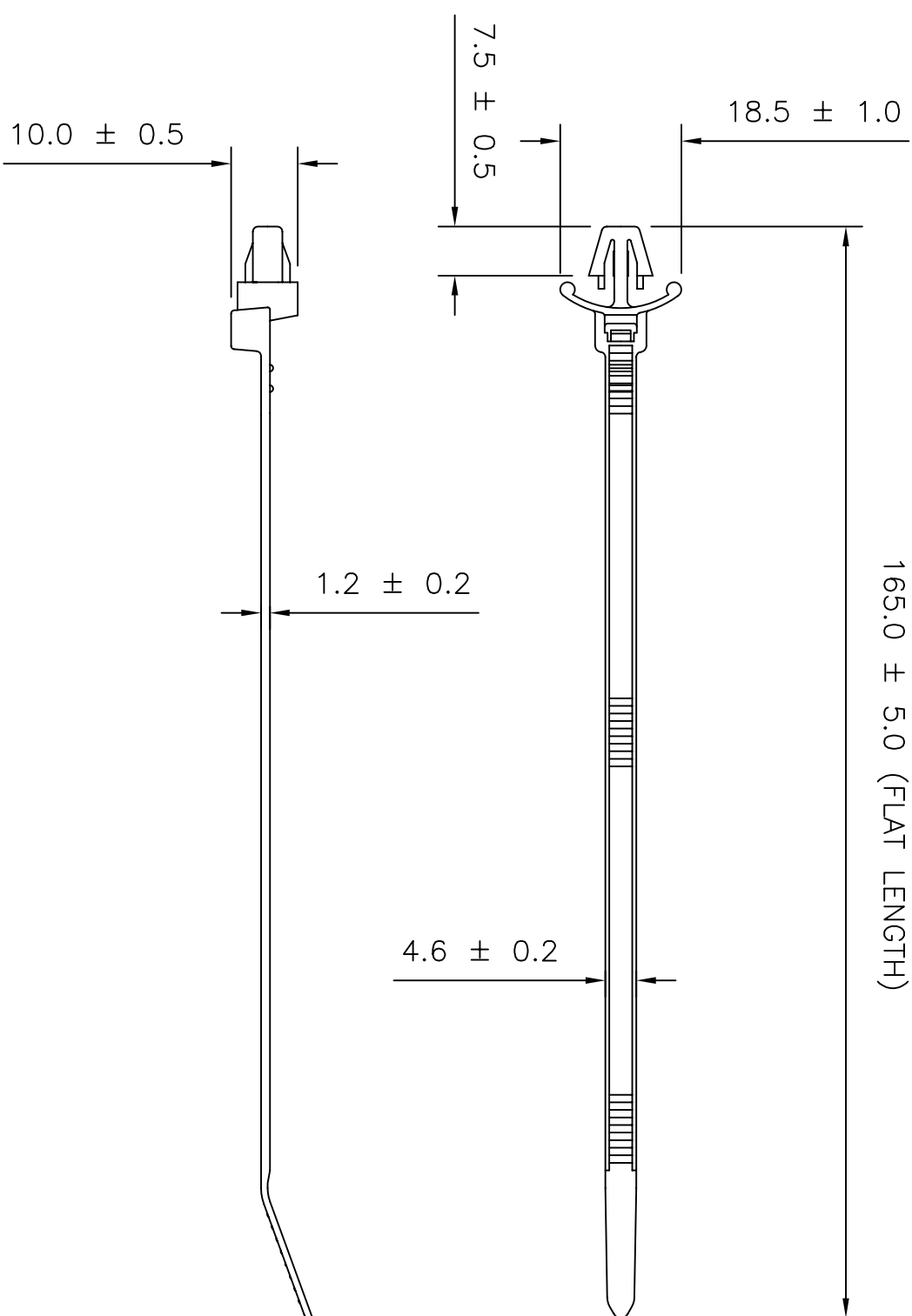
ARROW HEAD

Panel hole diameter range :
6.9 to 7.1

Panel thickness range :
0.8 to 2.5

Dimension without tolerances
details to:
DIN 16901

Revision level		Revision Record		Changed	Date	Approved	Date
Part	Drawing						



ARROW HEAD PERFORMANCE DATA

material	colour	panel hole diameter (mm)	panel thickness (mm)	test plate	moisture content (%)	maximum insertion force (newtons)	minimum extraction force (newtons)
PA66	std black	7.0	2.5	drilled	2.5	100	225

ACAD



The copyright of this drawing is reserved by HELLERMANN TYTON.

It is issued on condition that it is not reproduced, copied or disclosed to a third party, either wholly or in part, without the consent of HELLERMANN TYTON.

Drawn: C. HOLDEN
Approved: S.BENTICK
11/06/02

Hellermann Tyton
Network Products Group

Sharston Green Business Park,
Manchester M22 4TY.
Tel: 0161 945 4181
Fax: 0161 947 2228

Scale: 1:1
Title: T50SL7

Drawing-No: CD1362-00

Format: A3
Sheet 1 of 1