



# OVM6946 400x400 product brief



## Compact, Cost-Effective Wafer-Level Camera Module for Single-Use Endoscopes



available in  
a lead-free  
package

OmniVision's OVM6946 is a compact camera module for medical applications such as minimally-invasive endoscopes. The 1/18-inch OVM6946 utilizes OmniVision's market-proven CameraCubeChip™ wafer-level module technology to streamline manufacturing processes and shorten time-to-market, and is the industry's most cost-effective single-chip imaging solution for single-use endoscopes.

Built on OmniVision's OmniBSI+™ pixel architecture, the OVM6946 captures high quality 400 x 400 resolution video at 30 frames per second (fps). The OVM6946

comes in a compact 1.05 mm x 1.05 mm package with a z-height of 2.27 mm, enabling a wide 120-degree field of view with an extended focusing range of 3 mm to infinity. The OVM6946 is well-suited to a wide range of endoscope applications, including medical, veterinarian, and industrial.

Find out more at [www.ovt.com](http://www.ovt.com).



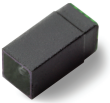
## Applications

- Medical, Dental, Veterinarian, Industrial Endoscopes

## Product Features

- optical size of 1/18"
- analog output
- automatic/manual control of exposure and gain
- on-chip PLL
- low power consumption
- single 3.3V power supply
- serial peripheral interface (SPI)
- OmniBSI™ pixel structure using 0.11 μm process

# OVM6946



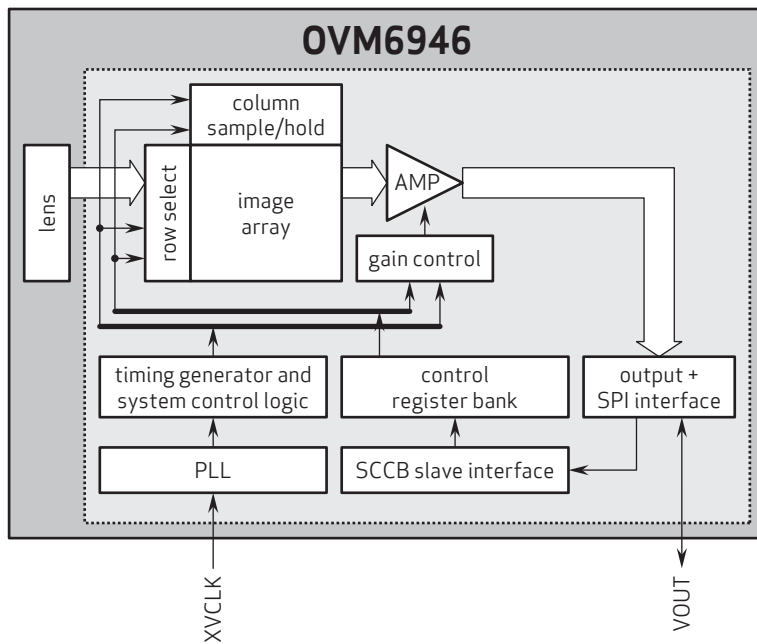
## Ordering Information

- OVM6946-RAJA**  
(color, lead-free) CameraCubeChip™ with black coating

## Product Specifications

- active array size:** 400 x 400
- power supply:**  
- analog: 3.3V ± 5%
- power requirements:**  
25 mW (with IO consumption)
- temperature range:**  
- operating: -20°C to +70°C junction temperature  
- stable image: 0°C to +50°C junction temperature
- output formats:** analog signal output
- lens size:** 1/18"
- diagonal field of view (FOV):** 120°
- f no.:** 5.0
- focal length:** 0.418 mm
- frame rate:**  
- half VGA (400x400): 30 fps
- maximum exposure:** 876 x T<sub>LINE</sub>
- minimum exposure time:** 72.15 μs
- scan mode:** progressive
- max S/N ratio:** 34.4 dB
- dynamic range:** 65.8 dB @ 4x gain
- sensitivity:** 1000 mV/lux-sec
- color mosaic:** RGB Bayer pattern
- pixel size:** 1.75 μm x 1.75 μm
- dark current:** 42 e<sup>-</sup>/sec @ 60°C junction temperature
- image area:** 714 μm x 707 μm
- net weight:** 4.62 mg
- package dimensions (including ball height):**  
1050 x 1050 x 2266 μm

## Functional Block Diagram



4275 Burton Drive  
Santa Clara, CA 95054  
USA

Tel: +1 408 567 3000  
Fax: +1 408 567 3001  
www.ovt.com

OmniVision reserves the right to make changes to their products or to discontinue any product or service without further notice. OmniVision, the OmniVision logo, OmniPixel and VarioPixel are registered trademarks of OmniVision Technologies, Inc. OmniBSI-2 is a trademark of OmniVision Technologies, Inc. All other trademarks are the property of their respective owners.



OmniVision