

## Feed-through terminal block - HDFKV 4 - 0709026

Please be informed that the data shown in this PDF Document is generated from our Online Catalog. Please find the complete data in the user's documentation. Our General Terms of Use for Downloads are valid (<http://download.phoenixcontact.com>)



Feed-through terminal block, Connection method: Screw connection, Load current : 41 A, Cross section: 0.2 mm<sup>2</sup> - 6 mm<sup>2</sup>, AWG 24 - 12, Connection direction of the conductor to plug-in direction: 90 °, Width: 8.1 mm, Color: gray

The figure shows a version of the article

### Product description

Feed-through terminal block, Connection method: Screw connection, Load current : 41 A, Cross section: 0.2 mm<sup>2</sup> - 6 mm<sup>2</sup>, AWG 24 - 12, Connection direction of the conductor to plug-in direction: 90 °, Width: 8.1 mm, Color: gray



### Key commercial data

Packing unit	1
Minimum order quantity	1
Catalog page	Page 628 (CC-2009)
GTIN	 4 017918 004880
Weight per piece (including packing)	0.0 GRM
Weight per Piece (excluding packing)	8.81 GRM
Country of origin	GREECE

### Technical data

#### General

Number of levels	1
Number of connections	2
Color	gray
Insulating material	PA
Inflammability class according to UL 94	V0

#### Dimensions

Width	8.1 mm
-------	--------

#### Technical data

Maximum load current	41 A
Rated surge voltage	6 kV
Pollution degree	3

# Feed-through terminal block - HDFKV 4 - 0709026

## Technical data

### Technical data

Surge voltage category	III
Insulating material group	I
Connection in acc. with standard	IEC 60947-7-1
Nominal current I <sub>N</sub>	32 A
Nominal voltage U <sub>N</sub>	400 V (With metal panels of 1 mm ... 2.5 mm)
Nominal voltage U <sub>N</sub>	250 V (With metal panels over 2.5 mm ... 5 mm)
Nominal voltage U <sub>N</sub>	400 V (With plastic panels of 1 mm ... 4 mm)

### Connection data

Conductor cross section solid min.	0.2 mm <sup>2</sup>
Conductor cross section solid max.	6 mm <sup>2</sup>
Conductor cross section stranded min.	0.2 mm <sup>2</sup>
Conductor cross section stranded max.	4 mm <sup>2</sup>
Conductor cross section AWG/kcmil min.	24
Conductor cross section AWG/kcmil max	10
Conductor cross section stranded, with ferrule without plastic sleeve min.	0.25 mm <sup>2</sup>
Conductor cross section stranded, with ferrule without plastic sleeve max.	4 mm <sup>2</sup>
Conductor cross section stranded, with ferrule with plastic sleeve min.	0.25 mm <sup>2</sup>
Conductor cross section stranded, with ferrule with plastic sleeve max.	4 mm <sup>2</sup>
2 conductors with same cross section, solid min.	0.2 mm <sup>2</sup>
2 conductors with same cross section, solid max.	1.5 mm <sup>2</sup>
2 conductors with same cross section, stranded min.	0.2 mm <sup>2</sup>
2 conductors with same cross section, stranded max.	1.5 mm <sup>2</sup>
2 conductors with same cross section, stranded, ferrules without plastic sleeve, min.	0.25 mm <sup>2</sup>
2 conductors with same cross section, stranded, ferrules without plastic sleeve, max.	1.5 mm <sup>2</sup>
2 conductors with same cross section, stranded, TWIN ferrules with plastic sleeve, min.	0.5 mm <sup>2</sup>
2 conductors with same cross section, stranded, TWIN ferrules with plastic sleeve, max.	2.5 mm <sup>2</sup>
Cross section with insertion bridge, solid max.	4 mm <sup>2</sup>
Cross section with insertion bridge, stranded max.	2.5 mm <sup>2</sup>
Connection method	Screw connection
Stripping length	9 mm
Internal cylindrical gage	A4
Screw thread	M3
Tightening torque, min	0.6 Nm
Tightening torque max	0.8 Nm

# Feed-through terminal block - HDFKV 4 - 0709026

## Classifications

### eclass

eClass 4.0	27141131
eClass 4.1	27141131
eClass 5.0	27141134
eClass 5.1	27141134
eClass 6.0	27141134

### etim

ETIM 2.0	EC001283
ETIM 3.0	EC001283
ETIM 4.0	EC001283

### unspsc

UNSPSC 6.01	30211811
UNSPSC 7.0901	39121410
UNSPSC 11	39121410
UNSPSC 12.01	39121410
UNSPSC 13.2	39121410

## Approvals

### Certificates

#### Certification

CSA / UL Recognized / KEMA-KEUR / cUL Recognized / GOST / PRS / IECCEB Scheme / GOST / cULus Recognized

#### Certification EX

#### Certification submitted

### Approval details

CSA	
mm <sup>2</sup> /AWG/kcmil	22-10
Nominal current IN	30 A
Nominal voltage UN	300 V

UL Recognized			
		B	D
mm <sup>2</sup> /AWG/kcmil	30-10	30-10	30-10

# Feed-through terminal block - HDFKV 4 - 0709026

## Approvals

		B	D
Nominal current IN	30 A	30 A	10 A
Nominal voltage UN	300 V	300 V	300 V

KEMA-KEUR	
mm <sup>2</sup> /AWG/kcmil	4
Nominal current IN	32 A
Nominal voltage UN	250 V

cUL Recognized			
		B	D
mm <sup>2</sup> /AWG/kcmil	30-10	30-10	30-10
Nominal current IN	30 A	30 A	10 A
Nominal voltage UN	300 V	300 V	300 V

GOST
------

PRS
-----

IECEE CB Scheme	
mm <sup>2</sup> /AWG/kcmil	4
Nominal current IN	32 A
Nominal voltage UN	250 V

GOST
------

cULus Recognized
------------------

## Accessories

Accessories

Bridges

Insertion bridge - EBS 2- 8 - 3118151

Insertion bridge, Number of positions: 2, Color: gray



## Feed-through terminal block - HDFKV 4 - 0709026

### Accessories

Insertion bridge - EBS 3- 8 - 3118148

Insertion bridge, Number of positions: 3, Color: gray



Insertion bridge - EBS 10- 8 - 3118135

Insertion bridge, Number of positions: 10, Color: gray



### Marking

Zack marker strip - ZB 6:UNBEDRUCKT - 1051003

Zack marker strip, Strip, white, Unlabeled, Can be labeled with: Plotter, Mounting type: Snap into tall marker groove, For term



Marker for terminal blocks - UC-TM 6 - 0818085

Marker for terminal blocks, Sheet, white, Unlabeled, Can be labeled with: Bluemark, Plotter, Mounting type: Snap into tall ma



Zack Marker strip, flat - ZBF 6:UNBEDRUCKT - 0808710

Zack Marker strip, flat, Strip, white, Unlabeled, Can be labeled with: Plotter, Mounting type: Snap into flat marker groove, For



# Feed-through terminal block - HDFKV 4 - 0709026

## Accessories

Marker for terminal blocks - TMT 6 R - 0816498

Marker for terminal blocks, Roll, white, Unlabeled, Can be labeled with: Thermomark R, Thermomark X, Thermomark S, Per



Marker for terminal blocks - TMT (EX9,5)R - 0828295

Marker for terminal blocks, Roll, white, Unlabeled, Can be labeled with: Thermomark R, Thermomark X, Thermomark S, Mou



## Tools

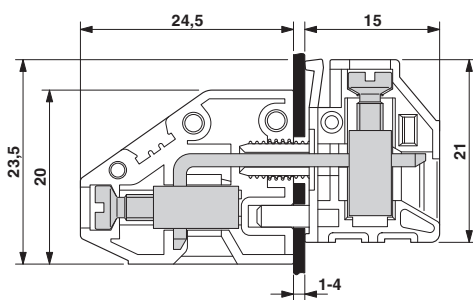
Screwdriver - SZS 0,6X3,5 - 1205053

Actuation tool, for ST terminal blocks, insulated, also suitable for use as a bladed screwdriver, size: 0.6 x 3.5 x 100 mm, 2-co



## Drawings

Dimensioned drawing



Dimensioned drawing

