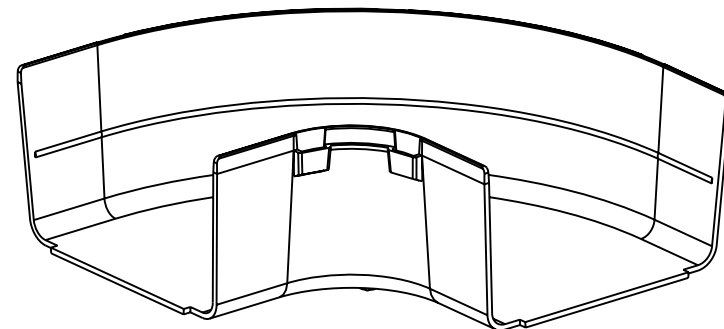
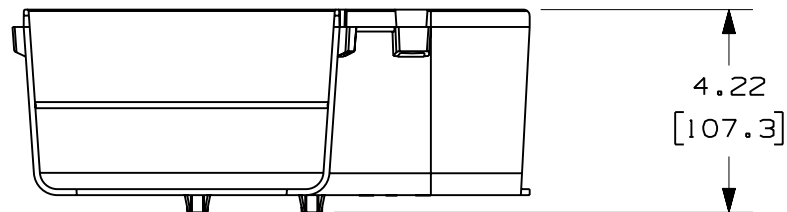


PANDUIT PART NUMBER	WEIGHT
FRRA6X4	0.84 LB/EACH (382g/EACH)

NOTES:

1. SEE CURRENT CATALOG FOR ADDITIONAL PART SUFFIXES TO INDICATE COLOR AND/OR PACKAGE QUANTITY.
2. THE FIBERRUNNER 6x4 HORIZONTAL RIGHT ANGLE FITTING IS DESIGNED WITH A MINIMUM 2" (50.8) BEND RADIUS TO PROTECT FIBER OPTIC CABLES.
3. DIMENSIONS IN PARENTHESES ARE IN METRIC.



ENG. REF.: D37185EN_DC_FRRA6X4_02.prt

CAD FILENAME/LAYERS

FRRA6X4.pdf

PANDUIT CORP TINLEY PARK, ILLINOIS
**FIBERRUNNER 6x4 HORIZONTAL
 RIGHT ANGLE FITTING (FRRA6X4)**
 CUSTOMER DRAWING

UNLESS OTHERWISE SPECIFIED,
 DIMENSIONAL TOLERANCES ARE:
 (.X) ± (.XXX) ±
 (.XX) ± .03 (.8) ANGLES ±

UNLESS OTHERWISE SPECIFIED,
 ALL DIMENSIONS ARE GIVEN IN
 INCHES, THIRD ANGLE PROJECTION.

REV	DATE	BY	CHK	DESCRIPTION	ECN	CUST	SUP	GMBH
-	-----	---	---	J. REVISED GENERAL NOTES 1. REVISED CAD FILENAME	-----	--	--	
3	7-12-06	DTP	RN	H. REVISED DRAWING TITLE G. REVISED AND REDRAWN	37185-60	RN	RN	

DRAWN BY
REWE
 DATE
4-28-00
 CHK'D
HIW

MAT'L:
ABS

SCALE
NONE
 DRAWING NO.
37185-60
 DWG
A
 SIZE