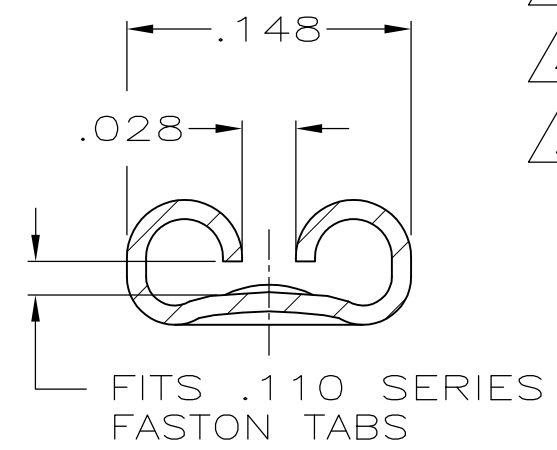
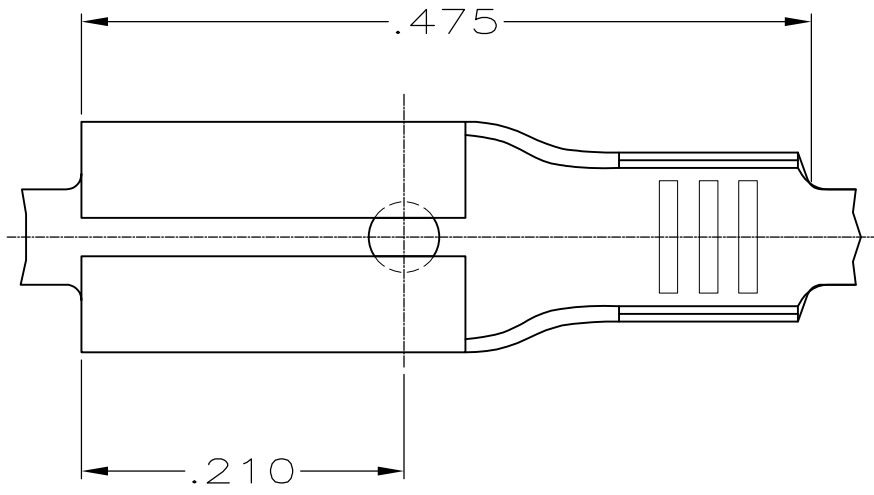


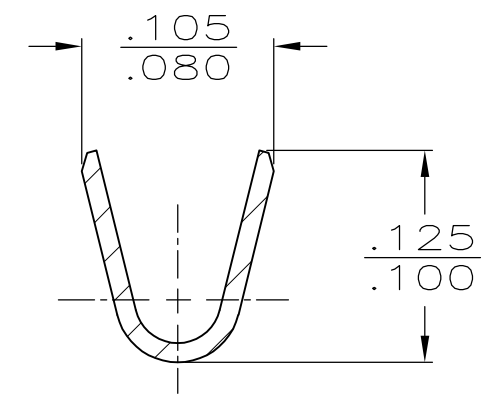
THIS DRAWING IS UNPUBLISHED. RELEASED FOR PUBLICATION
 © COPYRIGHT - By - ALL RIGHTS RESERVED.

LOC	DIST	REVISIONS			
P	LTR	DESCRIPTION	DATE	DWN	APVD
AF	50	W	REVISED PER ECR-12-013445	18OCT12	KH PD

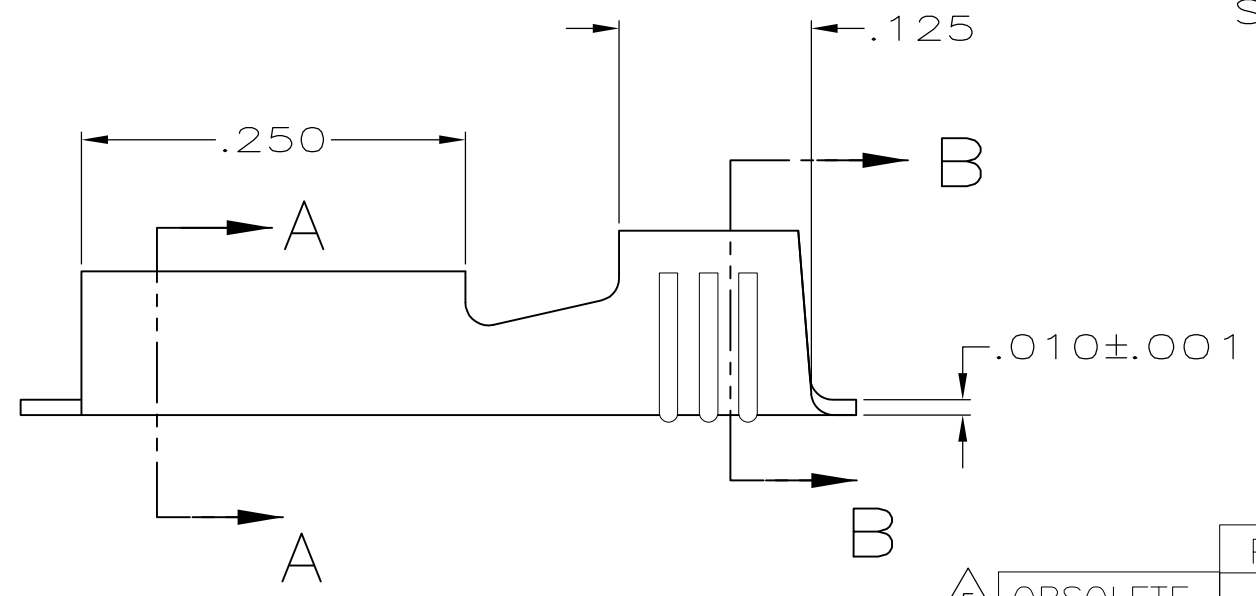
- 1 CONTINUOUS STRIP ON REELS
- 2 FEED TO BE $.535 \pm .005$.
- 3 REVERSE REELING W/ PAPER INTERLEAVING
- 4 PRELIMINARY - NOT FOR PRODUCTION
- 5 OBSOLETE PARTS: OBSOLETE CIS STREAMLINING PER D.RENAUD/D.SINISI



SECTION A-A
SCALE 10:1



SECTION B-B
SCALE 10:1



5 OBSOLETE	PRE-TIN	20-18 or (2) #20's	.020	3 4 42399-5
	-			42399-2
	PRE-TIN			42399-1
	FINISH			PART NO

THIS DRAWING IS A CONTROLLED DOCUMENT.		DWN JR RUTH 4/1/91	STE TE Connectivity			
DIMENSIONS: INCHES		CHK MS FEHER 4/1/91				
TOLERANCES UNLESS OTHERWISE SPECIFIED:		APVD C MEYERS 4/1/91	NAME RECEPTACLE, FASTON, .110 SERIES			
0 PLC ± -		PRODUCT SPEC	SIZE	CAGE CODE	DRAWING NO	RESTRICTED TO
1 PLC ± -		APPLICATION SPEC	A3	00779	C-42399	-
2 PLC ± -		WEIGHT	CUSTOMER DRAWING		SCALE 8:1	SHEET 1 OF 1
3 PLC ± .015		FINISH	SEE TABLE		REV W	
4 PLC ± -						
ANGLES ± -						
MATERIAL BRASS						